

25**...25MP... | 行星齿轮系列 Planetary Gearbox Series

应用领域：医疗器械、精密仪器、工业设备等领域。

Applications: medical equipment, scientific instruments, industrial equipment, etc.

工作温度范围 | Operating temperature range: -10~+80°C

| 配合电机类型 Matched Motor Type | 齿轮工艺 Gear Processing Technology | 齿轮组输出轴承 Gearbox Output Bearing |
|---|---|---|
| <input checked="" type="checkbox"/> 无刷电机 BLDC motor <input checked="" type="checkbox"/> 空心杯电机 Coreless motor <input checked="" type="checkbox"/> 铁芯电机 Cored motor | <input type="checkbox"/> 金属加工 Metal CNC <input type="checkbox"/> 金属注塑 Metal injection <input checked="" type="checkbox"/> 粉末冶金 Powder metallurgy <input type="checkbox"/> 塑胶注塑 Plastic injection | <input checked="" type="checkbox"/> 含油轴承 Slewing bearing <input checked="" type="checkbox"/> 滚珠轴承 Ball bearing |

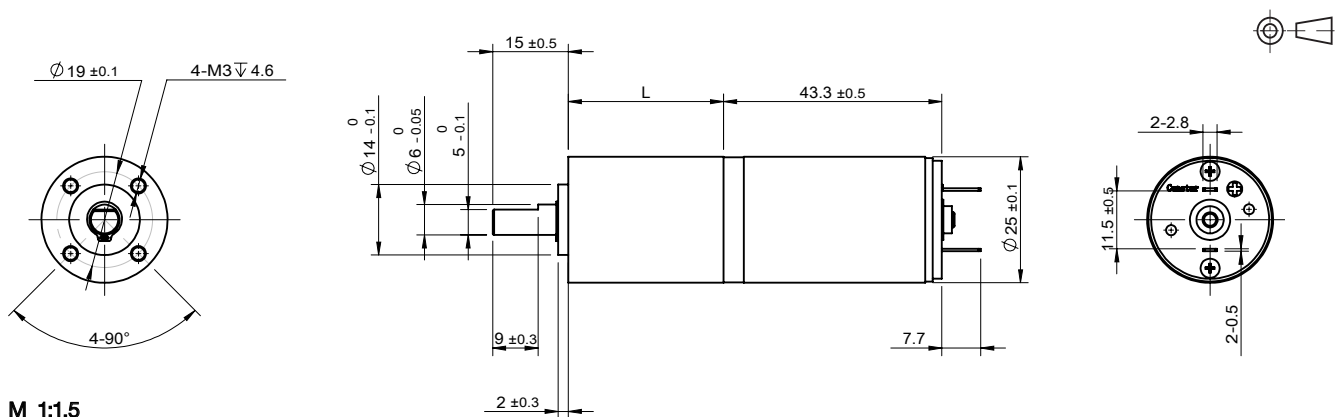
电机主要技术指标 | Motor Characteristics

| | | 2543N9C2B01-65-48.0 | 2554N9C2B04-82-24.0 | |
|--------------|-----------------------|---------------------|---------------------|-------|
| 1 电压 | Voltage | V | 48.0 | 24.0 |
| 2 端电阻 | Terminal resistance | Ω | 23.0 | 3.1 |
| 3 空载转速 | No-load speed | rpm | 6500 | 8200 |
| 4 空载电流 | No-load current | mA | 20 | 35 |
| 5 堵转转矩 | Stall torque | mNm | 144.6 | 214.4 |
| 6 堵转电流 | Stall current | mA | 2090 | 7740 |
| 7 额定转矩 | Nominal torque | mNm | 42.60 | 32.40 |
| 8 额定转速 | Nominal speed | rpm | 4580 | 6960 |
| 9 额定电流 | Nominal current | mA | 630 | 1200 |
| 10 最大输出功率 | Max. output power | W | 24.57 | 46.03 |
| 11 最大效率 | Max. efficiency | % | 81 | 87 |
| 12 反电势常数 | Back-EMF constant | mV/rpm | 7.31 | 2.91 |
| 13 转矩常数 | Torque constant | mNm/A | 69.84 | 27.82 |
| 14 转速 / 转矩斜率 | Speed/torque gradient | rpm/mNm | 45 | 38 |
| 15 转子惯量 | Rotor inertia | gcm ² | 13.2 | 14.2 |
| 16 重量 | Weight | g | 98 | 120 |

齿轮组主要技术指标 (粉末冶金) | Gearbox Characteristics (Powder metallurgy)

| 齿轮级数 Gearbox stages | 减速比 Reduction ratio | 最大额定转矩 Max. rated torque | 瞬间允许转矩 Max. momentary torque | 长度 Length (L) |
|------------------------|------------------------|-----------------------------|---------------------------------|------------------|
| | | mNm | mNm | mm |
| 1 | 3.6,4.25 | 300 | 900 | 18.3 |
| 2 | 13~18 | 500 | 1500 | 25 |
| 3 | 36~77 | 1000 | 3000 | 30.8 |
| 4 | 114~326 | 1000 | 3000 | 36.6 |
| 5 | 467~1386 | 1000 | 3000 | 42.4 |
| 6 | -- | -- | -- | -- |

外观图 | Outline Drawing



M 1:1.5