

## 1625N5M | 贵金属电刷 Precious Metal Commutation

应用领域：医疗、保健、汽车、机器人、工业自动化等精密驱动领域。

Applications: precision drives in medical equipment and devices, healthcare products, automotive, robotics, and industrial automation.

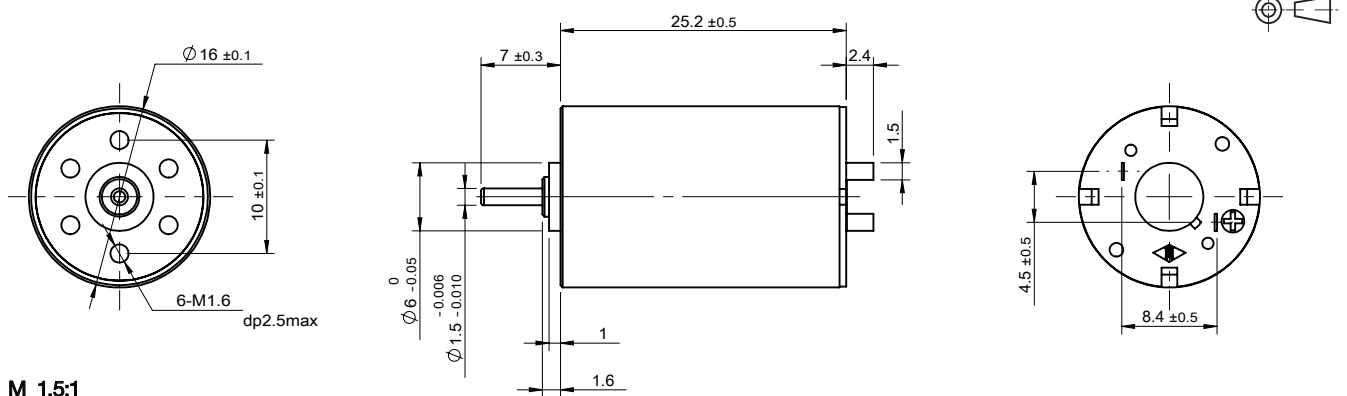
### 主要技术指标 | Characteristics

			24-60-3.7	25-88-6.0	17-81-12.0
1	电压	Voltage	V	3.7	12.0
2	端电阻	Terminal resistance	$\Omega$	7.6	16.5
3	空载转速	No-load speed	rpm	6000	8100
4	空载电流	No-load current	mA	12	10
5	堵转转矩	Stall torque	mNm	2.7	10.0
6	堵转电流	Stall current	mA	490	730
7	额定转矩	Nominal torque	mNm	0.5	3.0
8	额定转速	Nominal speed	rpm	4910	5680
9	额定电流	Nominal current	mA	100	230
10	最大输出功率	Max. output power	W	0.43	2.13
11	最大效率	Max. efficiency	%	71	78
12	反电势常数	Back-EMF constant	mV/rpm	0.6	1.5
13	转矩常数	Torque constant	mNm/A	5.7	14.0
14	转速 / 转矩斜率	Speed/torque gradient	rpm/mNm	2190	810
15	转子惯量	Rotor inertia	gcm <sup>2</sup>	0.78	0.8
16	重量	Weight	g	21.8	21.8
17	热阻 (机壳 - 环境)	Thermal resistance housing-ambient	K/W		24.8
18	热阻 (线圈 - 机壳)	Thermal resistance winding-housing	K/W		30.3
19	热时常数 (电机)	Thermal time constant motor	s		201
20	热时常数 (线圈)	Thermal time constant winding	s		175
21	工作温度范围	Operating temperature range	$^{\circ}\text{C}$		-20~+85
22	绕组耐温等级	Thermal class of winding	$^{\circ}\text{C}$		130
23	轴向间隙	Axial play	mm		0.02~0.15
24	径向间隙	Radial play	mm		0.014
25	动态轴向载荷	Axial load dynamic	N		0.8
26	静态轴向载荷	Axial load static	N		30
27	径向载荷 (距安装面 3mm)	Radial load at 3 mm from mounting face	N		1.4
28	极对数	No. of pole pairs			1
29	轴承	Bearings		2 枚含油轴承/2 sleeve bearings	
30	换向结构	Commutator		贵金属 5 相/metal 5 segments	
31	防护等级	Protection class		IP 30	

★可选参数 Options: 导线长度 Lead wires length 轴长 Shaft length 性能 Special coils

轴承类型 Bearing type 齿轮箱 Gearheads

### 外观图 | Outline Drawing



M 1.5:1