

1625N9M | 贵金属电刷 Precious Metal Commutation

应用领域：医疗、保健、汽车、机器人、工业自动化等精密驱动领域。

Applications: precision drives in medical equipment and devices, healthcare products, automotive, robotics, and industrial automation.

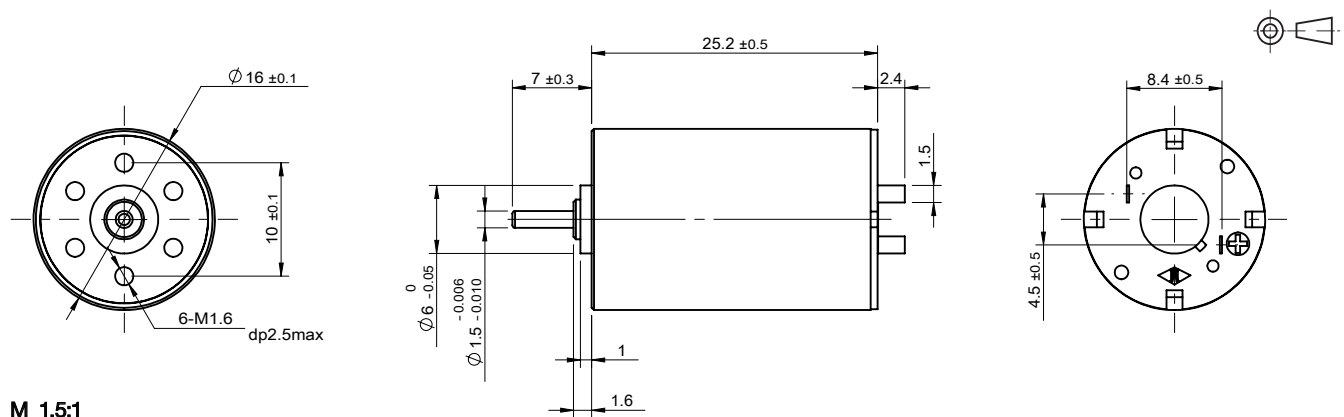
主要技术指标 | Characteristics

			01-115-3.0	02-92-6.0	03-115-12.0	
1	电压	Voltage	V	3.0	6.0	12.0
2	端电阻	Terminal resistance	Ω	1.1	4.4	13.4
3	空载转速	No-load speed	rpm	11500	9200	11500
4	空载电流	No-load current	mA	50	20	12
5	堵转转矩	Stall torque	mNm	6.6	8.2	8.7
6	堵转电流	Stall current	mA	2730	1360	900
7	额定转矩	Nominal torque	mNm	1.0	1.2	1.5
8	额定转速	Nominal speed	rpm	9750	7860	9520
9	额定电流	Nominal current	mA	460	220	160
10	最大输出功率	Max. output power	W	2.0	2.0	2.6
11	最大效率	Max. efficiency	%	75	77	78
12	反电势常数	Back-EMF constant	mV/rpm	0.3	0.6	1.0
13	转矩常数	Torque constant	mNm/A	2.4	6.1	9.8
14	转速 / 转矩斜率	Speed/torque gradient	rpm/mNm	1750	1120	1320
15	转子惯量	Rotor inertia	gcm ²	0.78	0.8	0.82
16	重量	Weight	g	21.8	21.8	21.8
17	热阻 (机壳 - 环境)	Thermal resistance housing-ambient	K/W		24.8	
18	热阻 (线圈 - 机壳)	Thermal resistance winding-housing	K/W		30.3	
19	热时常数 (电机)	Thermal time constant motor	s		201	
20	热时常数 (线圈)	Thermal time constant winding	s		175	
21	工作温度范围	Operating temperature range	°C		-20~+85	
22	绕组耐温等级	Thermal class of winding	°C		130	
23	轴向间隙	Axial play	mm		0.02~0.15	
24	径向间隙	Radial play	mm		0.014	
25	动态轴向载荷	Axial load dynamic	N		0.8	
26	静态轴向载荷	Axial load static	N		30	
27	径向载荷 (距安装面 3mm)	Radial load at 3 mm from mounting face	N		1.4	
28	极对数	No. of pole pairs			1	
29	轴承	Bearings			2 枚含油轴承/2 sleeve bearings	
30	换向结构	Commutator			贵金属 9 相/metal 9 segments	
31	防护等级	Protection class			IP 30	

★可选参数 Options: 导线长度 Lead wires length 轴长 Shaft length 性能 Special coils

轴承类型 Bearing type 齿轮箱 Gearheads

外观图 | Outline Drawing



M 1.5:1