

1925N9M | 贵金属电刷 Precious Metal Commutation

应用领域：医疗、保健、汽车、机器人、工业自动化等精密驱动领域。

Applications: precision drives in medical equipment and devices, healthcare products, automotive, robotics, and industrial automation.

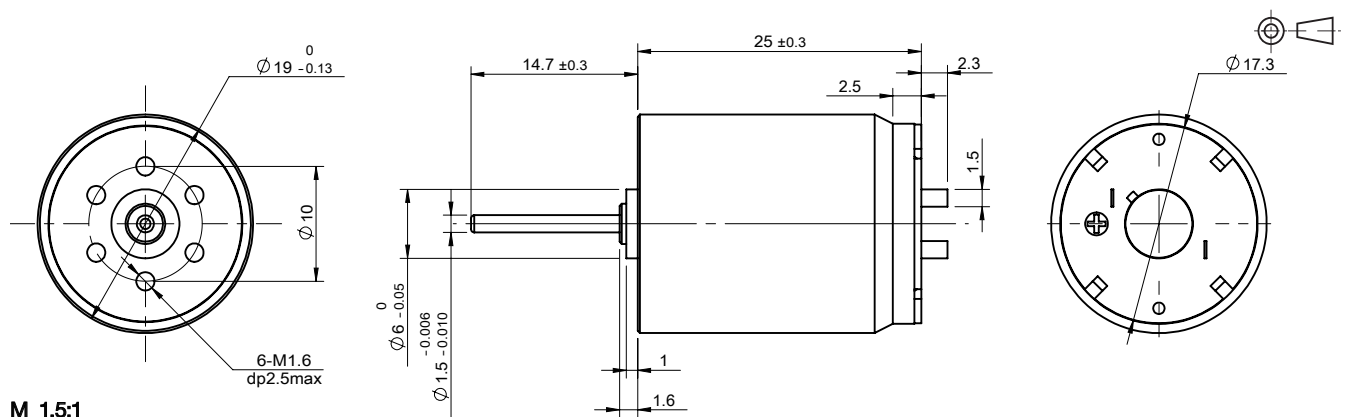
主要技术指标 | Characteristics

			01-69-6.0	02-80-12.0	03-85-24.0	
1	电压	Voltage	V	6.0	12.0	24.0
2	端电阻	Terminal resistance	Ω	2.8	9.6	28.3
3	空载转速	No-load speed	rpm	6900	8000	8500
4	空载电流	No-load current	mA	25	15	9
5	堵转转矩	Stall torque	mNm	17.4	17.5	22.4
6	堵转电流	Stall current	mA	2140	1250	850
7	额定转矩	Nominal torque	mNm	4.0	4.0	4.0
8	额定转速	Nominal speed	rpm	5310	6170	6980
9	额定电流	Nominal current	mA	510	300	160
10	最大输出功率	Max. output power	W	3.1	3.7	5.0
11	最大效率	Max. efficiency	%	80	79	81
12	反电势常数	Back-EMF constant	mV/rpm	0.9	1.5	2.8
13	转矩常数	Torque constant	mNm/A	8.2	14.2	26.7
14	转速 / 转矩斜率	Speed/torque gradient	rpm/mNm	400	460	380
15	转子惯量	Rotor inertia	gcm ²	0.6	0.6	0.6
16	重量	Weight	g	30	30	30
17	热阻 (机壳 - 环境)	Thermal resistance housing-ambient	K/W		22.4	
18	热阻 (线圈 - 机壳)	Thermal resistance winding-housing	K/W		3.79	
19	热时常数 (电机)	Thermal time constant motor	s		267	
20	热时常数 (线圈)	Thermal time constant winding	s		232	
21	工作温度范围	Operating temperature range	°C		-20~+85	
22	绕组耐温等级	Thermal class of winding	°C		130	
23	轴向间隙	Axial play	mm		0.02~0.15	
24	径向间隙	Radial play	mm		0.025	
25	动态轴向载荷	Axial load dynamic	N		2.2	
26	静态轴向载荷	Axial load static	N		30	
27	径向载荷 (距安装面 3mm)	Radial load at 3 mm from mounting face	N		8	
28	极对数	No. of pole pairs			1	
29	轴承	Bearings			2 枚含油轴承/2 sleeve bearings	
30	换向结构	Commutator			贵金属 9 相/metal 9 segments	
31	防护等级	Protection class			IP 30	

★可选参数 Options: 导线长度 Lead wires length 轴长 Shaft length 性能 Special coils

轴承类型 Bearing type 齿轮箱 Gearheads

外观图 | Outline Drawing



M 1.5:1