

1331N5M | 贵金属电刷 Precious Metal Commutation

应用领域：医疗、保健、汽车、机器人、工业自动化等精密驱动领域。

Applications: precision drives in medical equipment and devices, healthcare products, automotive, robotics, and industrial automation.

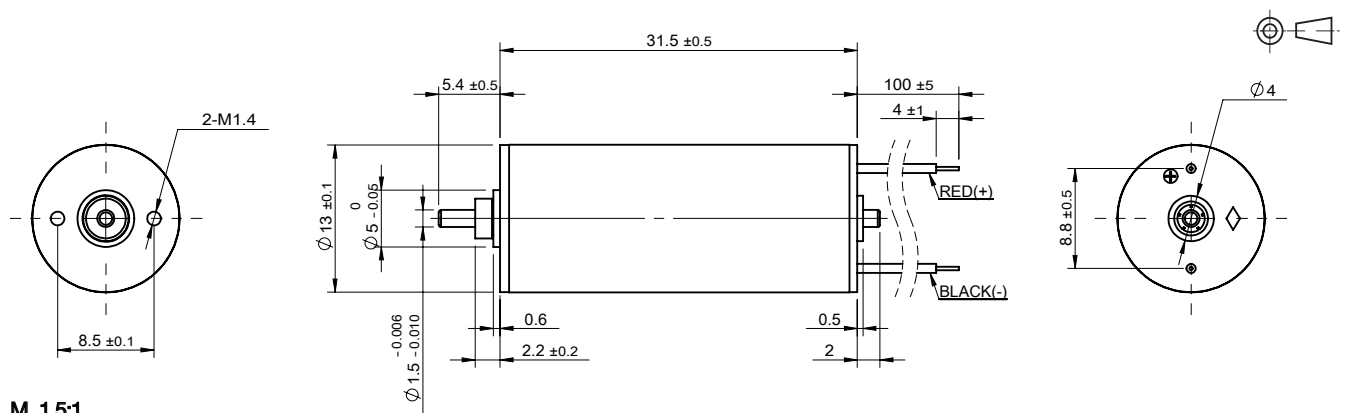
主要技术指标 | Characteristics

			02-39-4.5	01-67-9.0	09-87-12.0	
1	电压	Voltage	V	4.5	9.0	12.0
2	端电阻	Terminal resistance	Ω	10.3	17.7	15.7
3	空载转速	No-load speed	rpm	3900	6700	8700
4	空载电流	No-load current	mA	4	7	8
5	堵转转矩	Stall torque	mNm	4.8	6.4	9.8
6	堵转电流	Stall current	mA	440	510	760
7	额定转矩	Nominal torque	mNm	1.0	2.0	3.0
8	额定转速	Nominal speed	rpm	3080	4590	6040
9	额定电流	Nominal current	mA	100	170	240
10	最大输出功率	Max. output power	W	0.49	1.12	2.23
11	最大效率	Max. efficiency	%	82	78	81
12	反电势常数	Back-EMF constant	mV/rpm	1.1	1.3	1.4
13	转矩常数	Torque constant	mNm/A	10.9	12.7	13.0
14	转速 / 转矩斜率	Speed/torque gradient	rpm/mNm	820	1050	890
15	转子惯量	Rotor inertia	gcm^2	0.52	0.52	0.52
16	重量	Weight	g	19	19	19
17	热阻 (机壳 - 环境)	Thermal resistance housing-ambient	K/W		34.8	
18	热阻 (线圈 - 机壳)	Thermal resistance winding-housing	K/W		38.6	
19	热时常数 (电机)	Thermal time constant motor	s		211	
20	热时常数 (线圈)	Thermal time constant winding	s		163	
21	工作温度范围	Operating temperature range	$^{\circ}\text{C}$		-20~+85	
22	绕组耐温等级	Thermal class of winding	$^{\circ}\text{C}$		130	
23	轴向间隙	Axial play	mm		0.02~0.15	
24	径向间隙	Radial play	mm		0.014	
25	动态轴向载荷	Axial load dynamic	N		0.8	
26	静态轴向载荷	Axial load static	N		30	
27	径向载荷 (距安装面 3mm)	Radial load at 3 mm from mounting face	N		1.4	
28	极对数	No. of pole pairs			1	
29	轴承	Bearings			2 枚含油轴承/2 sleeve bearings	
30	换向结构	Commutator			贵金属 5 相/metal 5 segments	
31	防护等级	Protection class			IP 30	

★可选参数 Options: 导线长度 Lead wires length 轴长 Shaft length 性能 Special coils

轴承类型 Bearing type 齿轮箱 Gearheads

外观图 | Outline Drawing



M 1.5:1