

L1630N5M | 贵金属电刷 Precious Metal Commutation

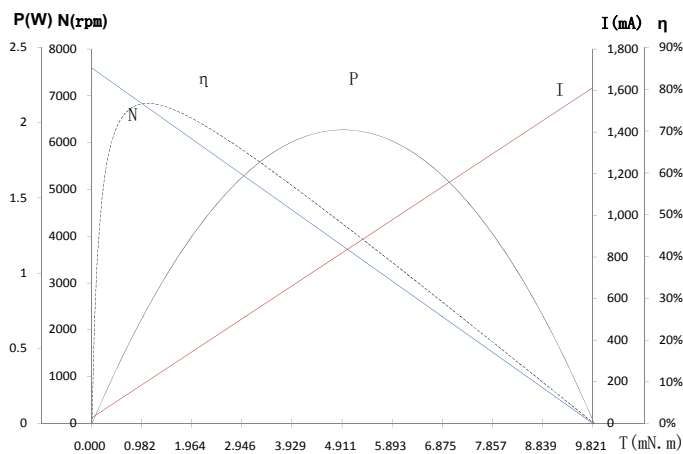
应用领域：微型无人机、智能电玩、小家电产品等领域。

Applications: mini UAV's, remote control hobby products, small household appliances, etc.

主要技术指标 | Characteristics

			11-76-5.0	35-25-3.0	22-120-6.0
1	电压	Voltage	V	5.0	6.0
2	端电阻	Terminal resistance	Ω	3.1	1.4
3	空载转速	No-load speed	rpm	7700	12000
4	空载电流	No-load current	mA	25	30
5	堵转转矩	Stall torque	mNm	9.8	20.2
6	堵转电流	Stall current	mA	1610	4290
7	负载转矩	Load torque	mNm	0.5	2.0
8	负载转速	Load speed	rpm	7310	10810
9	负载电流	Load current	mA	110	450
10	最大输出功率	Max. output power	W	2.0	6.4
11	最大效率	Max. efficiency	%	78	84
12	反电势常数	Back-EMF constant	mV/rpm	0.6	0.5
13	转矩常数	Torque constant	mNm/A	6.1	4.7
14	转速 / 转矩斜率	Speed/torque gradient	rpm/mNm	780	590
15	转子惯量	Rotor inertia	gcm^2	0.7	0.7
16	重量	Weight	g	25.2	25.2
17	工作温度范围	Operating temperature range	$^{\circ}\text{C}$	-20~+85	-20~+85

特性曲线 | Characteristics Curve

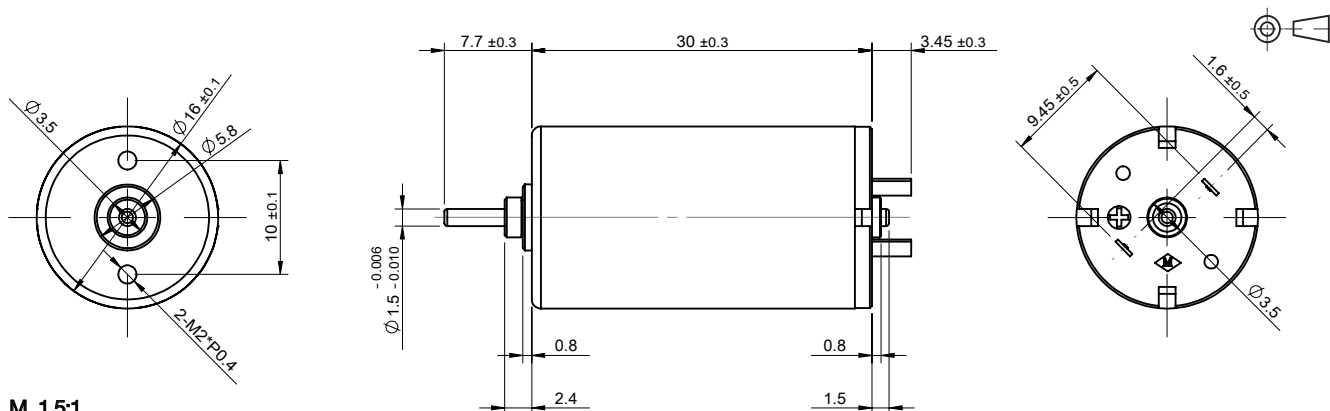


型号 / Mode L1630N5M11-76-5.0

可选参数 | Options

导线长度 Lead wires length
轴长 Shaft length
性能 Special coils
齿轮箱 Gearheads

外观图 | Outline Drawing



M 1.5:1

规格如有变更，恕不另行通知
Specification subject to change without notice

© 2020 CONSTAR
www.constarmotor.com