

L1718N5M | 贵金属电刷 Precious Metal Commutation

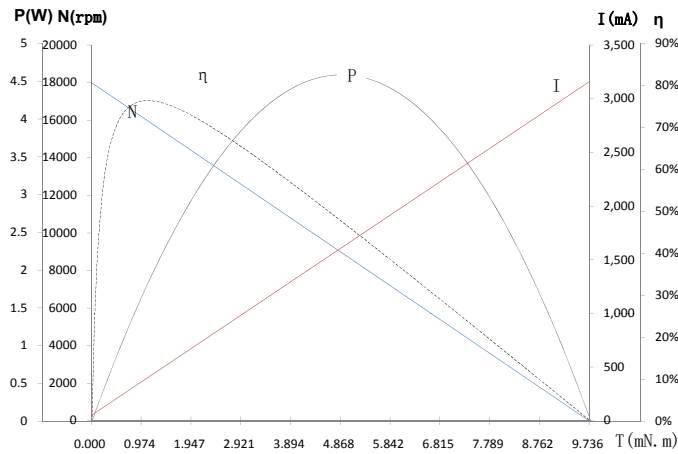
应用领域：微型无人机、智能电玩、小家电产品等领域。

Applications: mini UAV's, remote control hobby products, small household appliances, etc.

主要技术指标 | Characteristics

| | | | 06-180-6.0 | 67-185-6.5 | 46-245-7.4 | 57-260-7.4 | |
|----|-----------|-----------------------------|--------------------|------------|------------|------------|---------|
| 1 | 电压 | Voltage | V | 6.0 | 6.5 | 7.4 | 7.4 |
| 2 | 端电阻 | Terminal resistance | Ω | 1.9 | 1.7 | 1.2 | 1.3 |
| 3 | 空载转速 | No-load speed | rpm | 18000 | 18500 | 24500 | 26000 |
| 4 | 空载电流 | No-load current | mA | 50 | 50 | 40 | 60 |
| 5 | 堵转转矩 | Stall torque | mNm | 9.7 | 12.5 | 17.6 | 15.1 |
| 6 | 堵转电流 | Stall current | mA | 3160 | 3820 | 6170 | 5690 |
| 7 | 负载转矩 | Load torque | mNm | 1.0 | 1.0 | 1.0 | 2.0 |
| 8 | 负载转速 | Load speed | rpm | 16150 | 17020 | 23110 | 22570 |
| 9 | 负载电流 | Load current | mA | 370 | 350 | 390 | 800 |
| 10 | 最大输出功率 | Max. output power | W | 4.6 | 6.1 | 11.3 | 10.3 |
| 11 | 最大效率 | Max. efficiency | % | 77 | 79 | 85 | 81 |
| 12 | 反电势常数 | Back-EMF constant | mV/rpm | 0.3 | 0.3 | 0.3 | 0.3 |
| 13 | 转矩常数 | Torque constant | mNm/A | 3.1 | 3.3 | 2.9 | 2.7 |
| 14 | 转速 / 转矩斜率 | Speed/torque gradient | rpm/mNm | 1850 | 1480 | 1390 | 1720 |
| 15 | 转子惯量 | Rotor inertia | gcm ² | 0.8 | 0.8 | 0.8 | 0.8 |
| 16 | 重量 | Weight | g | 18.3 | 18.3 | 18.5 | 20.5 |
| 17 | 工作温度范围 | Operating temperature range | $^{\circ}\text{C}$ | -20~+85 | -20~+85 | -20~+85 | -20~+85 |

特性曲线 | Characteristics Curve

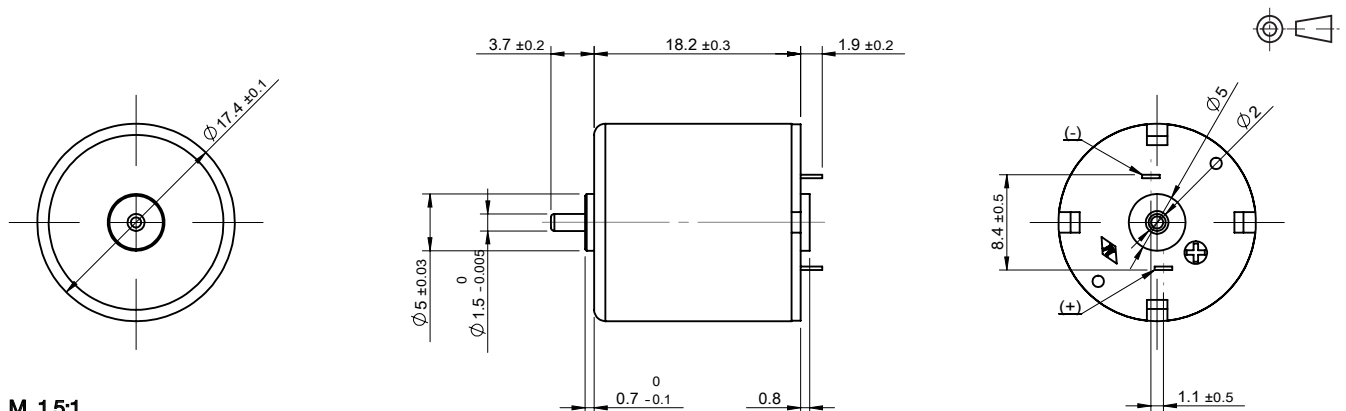


型号 / Model L1718N5M06-180-6.0

可选参数 | Options

导线长度 Lead wires length
轴长 Shaft length
性能 Special coils
齿轮箱 Gearheads

外观图 | Outline Drawing



M 1.5:1

规格如有变更，恕不另行通知
Specification subject to change without notice

© 2020 CONSTAR
www.constarmotor.com