

16**C5...M... | 碳刷 Graphite Brush

应用领域：医疗设备、智能假肢、工业机器人等精密控制领域。

Applications: medical equipment, intelligent prostheses, industrial robots, etc.

工作温度范围 | Operating temperature range: -20~+85°C

电机主要技术指标 | Motor Characteristics

| 1625N5C02-150-12.0 | | | | |
|--------------------|-------|-------------------|----------|-------|
| 1 | 电压 | Voltage | V | 12.0 |
| 2 | 转子电阻 | Rotor resistance | Ω | 13.0 |
| 3 | 空载转速 | No-load speed | rpm | 15000 |
| 4 | 空载电流 | No-load current | mA | 25 |
| 5 | 堵转转矩 | Stall torque | mNm | 6.8 |
| 6 | 堵转电流 | Stall current | mA | 920 |
| 7 | 额定转矩 | Nominal torque | mNm | 3.2 |
| 8 | 额定转速 | Nominal speed | rpm | 7800 |
| 9 | 额定电流 | Nominal current | mA | 455 |
| 10 | 反电势常数 | Back-EMF constant | mV/rpm | 0.78 |
| 11 | 转矩常数 | Torque constant | mNm/A | 7.43 |

★可选参数 Options: 导线长度 Lead wires length 轴长 Shaft length 性能 Special coils

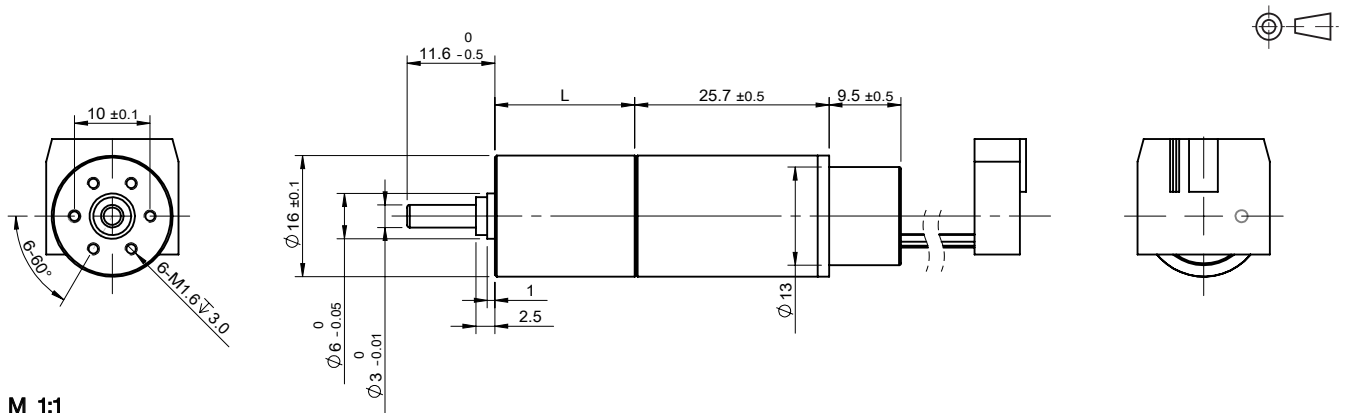
编码器主要技术指标 | Encoder Characteristics

| | | | | | |
|---|------|--------------------|--------------|-------------|-------------|
| 1 | 通道数 | Number of channels | | 2 | 3 |
| 2 | 分辨率 | Counts per turn | cpt | 16, 32, 64 | 16, 32, 64 |
| 3 | 工作电压 | Supply voltage | V | 5.0 (5.0) | 5.0 (5.0) |
| 4 | 最大转速 | Max. speed | rpm | 30000 | 30000 |
| 5 | 相移 | Phase shift | $^{\circ}$ e | 90 \pm 45 | 90 \pm 45 |
| 6 | 信号输出 | Output signal | | TTL | TTL |
| 7 | 直径 | Diameter | mm | 13 | 13 |
| 8 | 长度 | Length | mm | 8.5 | 8.5 |

齿轮组主要技术指标 | Gearbox Characteristics

| 齿轮级数 Gearbox stages | 减速比 Reduction ratio | 最大额定转矩 Max. rated torque | 瞬间允许转矩 Max. momentary torque | 长度 Length (L) |
|------------------------|------------------------------|-----------------------------|---------------------------------|------------------|
| | | mNm | mNm | mm |
| 1 | 4 | 80 | 240 | 15.05 |
| 2 | 14, 16, 19, 29 | 120 | 360 | 18.7 |
| 3 | 53, 72, 84, 104, 128, 157 | 160 | 480 | 22.35 |
| 4 | 231, 316, 370, 455, 561, 690 | 200 | 600 | 26 |
| 5 | 1014, 1621, 1996, 3027 | 240 | 720 | 29.65 |
| 6 | -- | -- | -- | -- |

外观图 | Outline Drawing



M 1:1