

B3265NH2B | 内转子无槽带传感器 Inner Rotor, Slotless, Sensored

应用领域：医疗器械、工业设备等精密驱动领域。

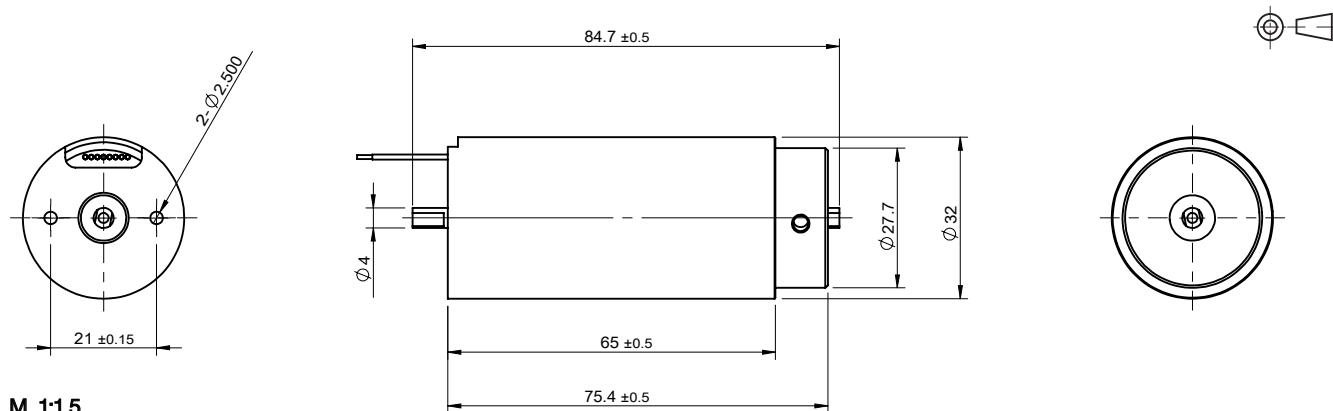
Applications: precision drives in medical equipment, industrial automation fields.

主要技术指标 | Characteristics

			01-150-24.0	02-150-18.0	03-120-24.0
1	电压	Voltage	V	24.0	24.0
2	端电阻	Terminal resistance	Ω	0.65	0.81
3	空载转速	No-load speed	rpm	15000	12000
4	空载电流	No-load current	A	0.55	0.53
5	堵转转矩	Stall torque	mNm	547.5	408.4
6	堵转电流	Stall current	A	36.9	29.6
7	额定转矩	Nominal torque	mNm	22	22
8	额定转速	Nominal speed	rpm	14400	10500
9	额定电流	Nominal current	A	1.95	1.56
10	最大输出功率	Max. output power	W	215	171
11	最大效率	Max. efficiency	%	78	72
12	反电势常数	Back-EMF constant	mV/rpm	1.6	2.0
13	转矩常数	Torque constant	mNm/A	15.1	18.8
14	KV 值	KV Value	rpm/V	625.0	500.0
15	转速 / 转矩斜率	Speed/torque gradient	rpm/mNm	27.4	22.0
16	转子惯量	Rotor inertia	gcm ²	6	6
17	重量	Weight	g	180	180
18	热阻 (机壳 - 环境)	Thermal resistance housing-ambient	K/W		6.8
19	热阻 (线圈 - 机壳)	Thermal resistance winding-housing	K/W		4.3
20	热时常数 (电机)	Thermal time constant motor	s		1400
21	热时常数 (线圈)	Thermal time constant winding	s		20
22	工作温度范围	Operating temperature range	°C		-40~+100
23	绕组耐温等级	Thermal class of winding	°C		155
24	轴向间隙	Axial play	mm		0.012
25	径向间隙	Radial play	mm		0.008
26	动态轴向载荷	Axial load dynamic	N		5
27	静态轴向载荷	Axial load static	N		80
28	径向载荷 (距安装面 3mm)	Radial load at 3 mm from mounting face	N		29
29	极对数	No. of pole pairs			2
30	轴承	Bearings		2 枚滚动轴承/2 ball bearings	
31	换向结构	Commutation		霍尔传感器/Hall Sensor	
32	防护等级	Protection class		IP 20	

★可选参数 Options: 导线长度 Lead wires length 轴长 Shaft length 性能 Special coils 齿轮箱 Gearheads 轴承类型 Bearing type 霍尔传感器 Hall sensor
编码器 Encoder 驱动器 Driver

外观图 | Outline Drawing



M 1:1.5