

L1515N5M | 贵金属电刷 Precious Metal Commutation

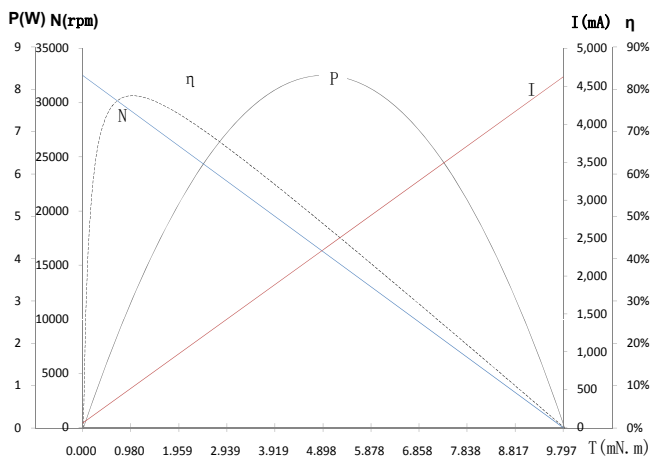
应用领域：微型无人机、智能电玩、小家电产品等领域。

Applications: mini UAV's, remote control hobby products, small household appliances, etc.

主要技术指标 | Characteristics

			12-325-7.4	13-250-12.0	
1	电压	Voltage	V	7.4	12
2	端电阻	Terminal resistance	Ω	1.6	7.7
3	空载转速	No-load speed	rpm	32500	25000
4	空载电流	No-load current	mA	60	35
5	堵转转矩	Stall torque	mNm	9.8	6.8
6	堵转电流	Stall current	mA	4625	1558
7	负载转矩	Load torque	mNm	1.0	1.0
8	负载转速	Load speed	rpm	29180	21340
9	负载电流	Load current	mA	526	260
10	最大输出功率	Max. output power	W	8.3	4.5
11	最大效率	Max. efficiency	%	79	72
12	反电势常数	Back-EMF constant	mV/rpm	0.22	0.47
13	转矩常数	Torque constant	mNm/A	2.15	4.48
14	转速 / 转矩斜率	Speed/torque gradient	rpm/mNm	3320	3660
15	转子惯量	Rotor inertia	gcm ²	0.7	0.7
16	重量	Weight	g	12	12
17	工作温度范围	Operating temperature range	$^{\circ}\text{C}$	-20~+85	-20~+85

特性曲线 | Characteristics Curve

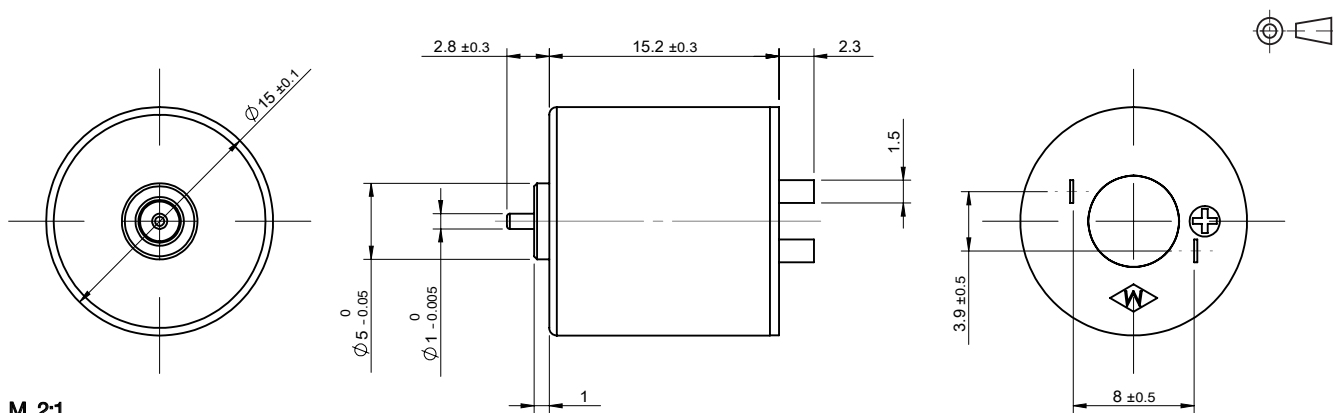


型号 / Model L1515N5M12-325-7.4

可选参数 | Options

导线长度 Lead wires length
轴长 Shaft length
性能 Special coils
齿轮箱 Gearheads

外观图 | Outline Drawing



M 2:1

规格如有变更，恕不另行通知
Specification subject to change without notice