

0820RFN/0827RFN/0834RFN | 贵金属电刷 Precious Metal Commutation

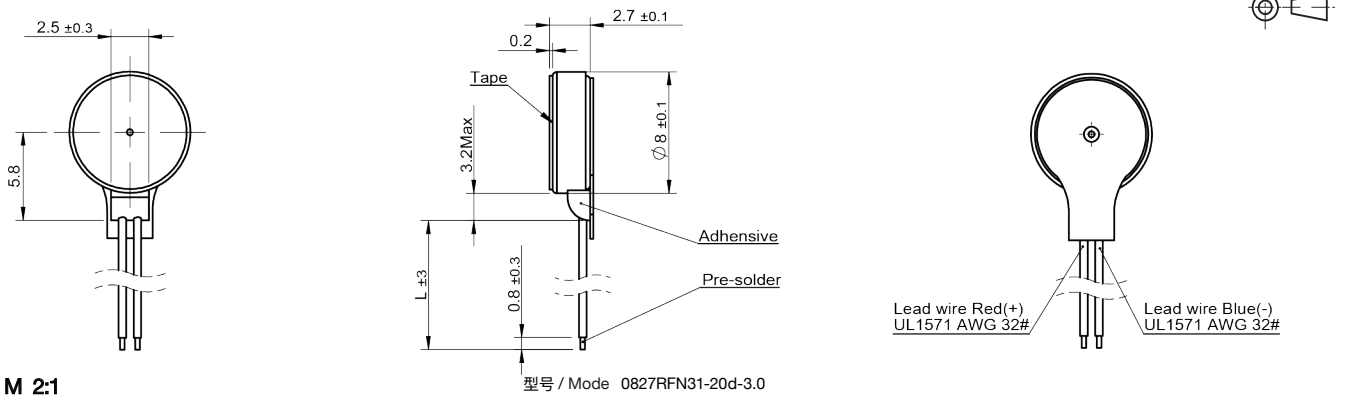
应用领域：穿戴设备、保健器材等领域。

Applications: wearable products, health care products, etc.

主要技术指标 | Characteristics

		0820RFN31-8d-3.0 0827RFN31-20d-3.0 0827RFN32-20d-3.0 0834RFN31-8d-3.0					
1	电压	Voltage	V	3.0	3.0	3.0	3.0
2	端电阻	Terminal resistance	Ω	30/60	31/62	55/110	28/54
3	转速	Speed	rpm	11000	11000	9000	11000
4	电流	Current	mA	70	70	40	70
5	启动电压	Starting voltage	V	1.5	1.7	1.7	1.7
6	堵转电流	Stall current	mA	90	80	50	90
7	工作温度范围	Operating temperature range	$^{\circ}\text{C}$	-20~+70	-20~+70	-20~+70	-20~+70

外观图 | Outline Drawing



可选参数 | Options

- 导线 Lead wires
- 胶垫 Rubber pad