

2734ZDR | 声波振动电机 Sonic Motor

应用领域：洗脸刷、脸部按摩仪、保健器材、清洁用具等。

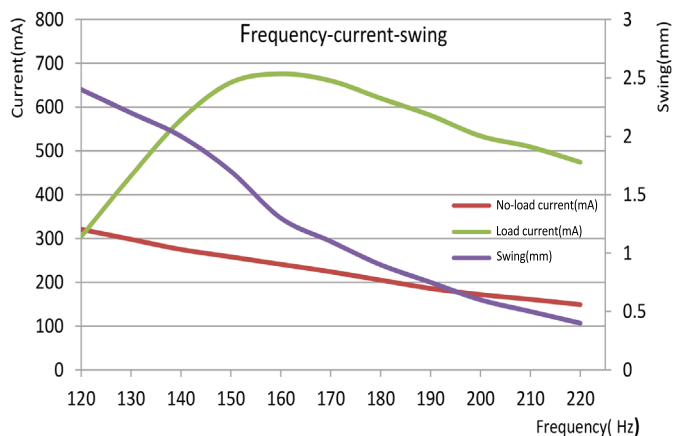
Applications: facial brushes, facial massagers, health care products, cleaning equipment, etc.

主要技术指标 | Characteristics

				-1-L2-30-3.7
1	电压	Voltage	V	3.7
2	直流电阻	Resistance	Ω	3.0
3	工作频率范围	Operating frequency range	Hz	100~240
4	空载振动频次	No-load vibration frequency	Times / minute	30000
5	空载振动电流	No-load current	mA	150
6	启动转矩	Starting torque	mNm	56
7	启动电流	Starting current	A	1.23
8	负载 (刷头)	Rated load (Brush head)	g mm	13.8 41
9	负载振动频次	Load vibration frequency	Times / minute	20400
10	负载电流	Load current	mA	600
11	转子惯量	Rotor inertia	gcm^2	2.4
12	重量	Weight	g	76
13	工作温度范围	Operating temperature range	$^{\circ}\text{C}$	-10~+60

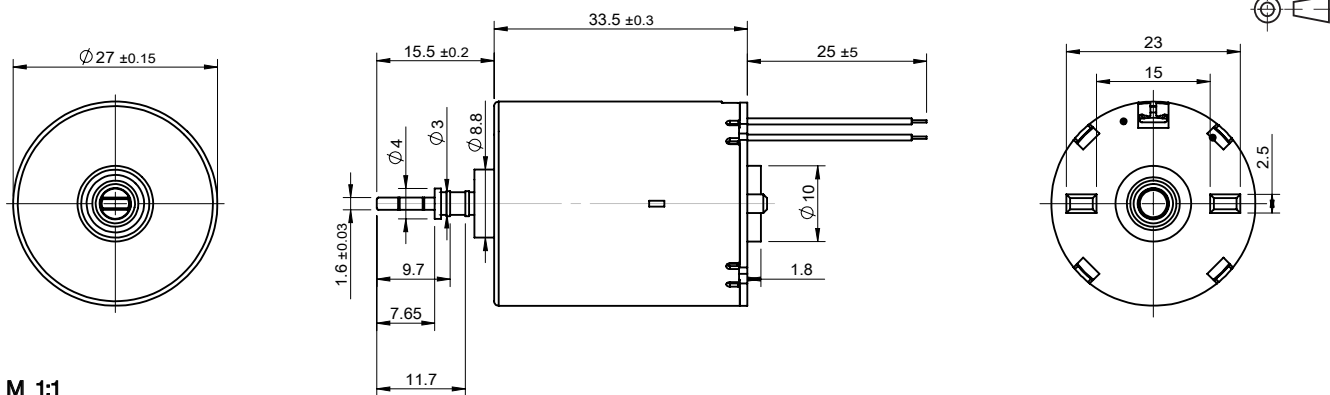
★可选参数 Options: 导线长度 Lead wires length 轴长 Shaft length 性能 Special coils

特性曲线 | Characteristics Curve



型号 / Mode 2734ZDR-1-L2-30-3.7

外观图 | Outline Drawing



M 1:1